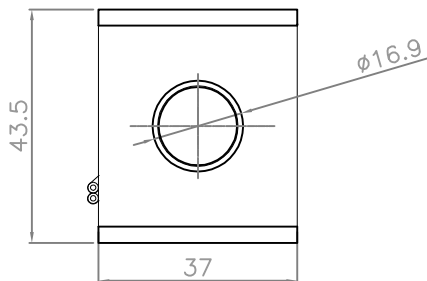
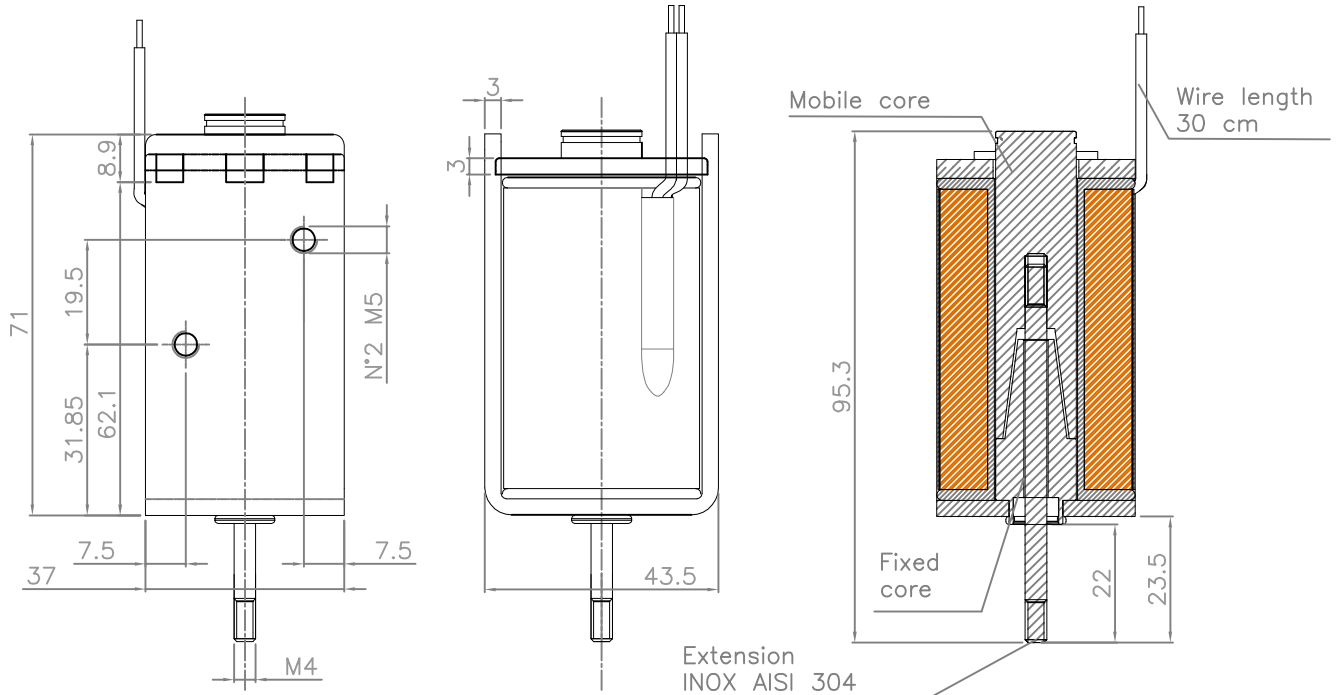


MOSCHITTA SRL

Electromechanical services and products
 Adrano - Catania - Italy
 www.moschittasrl.it - info@moschittasrl.it

Single stroke DC push, pull
 and pull/push electromagnet

Product code: 810 90 001



Scan this for updated data sheet



Datasheet

Power voltage	VCC	24
Electrical absorption at 20 °	A	3.8
Power at 20 °	W	91
Type of power supply	direct current or alternating current with built-in rectifier	
Insulation class	H200	
Run work	mm	17
Force at run start	N	2
Force at run end	N	23
Protection	IP30	
Weight	kg	0.45
E.D.:	%	12